

Fluid Cooling Shell & Tube HC Series - Four Pass

COPPER & STEEL CONSTRUCTION

Performance Notes

- Preferred for new oil-water applications
- Rugged steel construction
- Low cost
- NPT, SAE O-Ring, SAE flange, or BSPP shell side connections available
- End bonnets removable for servicing
- Mounting feet included (may be rotated in 90° increments)



OPTIONS

Optional material construction on tubes, tubesheets and end bonnets

Ratings

Maximum Operating Pressure - Shell Side
300 PSI*

Maximum Operating Pressure - Tube Side
150 PSI

Maximum Operating Temperature
300°F

Materials

Tubes Copper

Tubesheet Carbon steel

Shell Carbon steel

Baffles Carbon steel

End Bonnets Cast iron

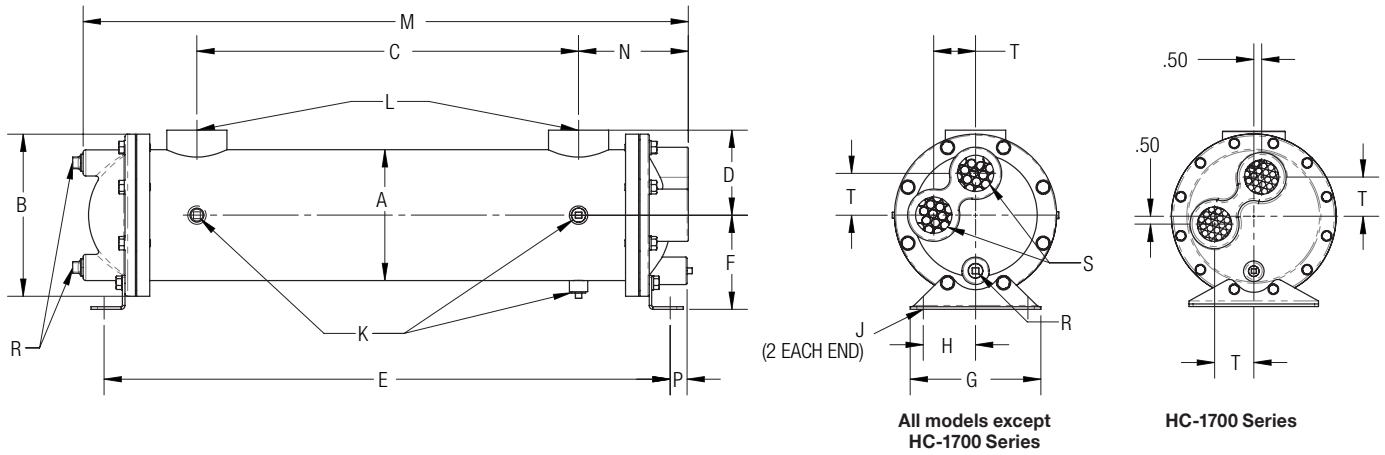
Mounting Brackets Carbon steel

Gaskets Nitrile rubber/cellulose fiber

Nameplate Aluminum foil

Dimensions

Four Pass



Model	A	B	C	D	E	F	G	H	J	K NPT	L NPT	M	N	P	R NPT	S NPT	T
614	3.27	4.50	10.00	2.31	16.37	2.75	4.50	1.63	0.44	0.25	1.00	17.19	3.62	0.44	.38 (2)	0.75	1.00
624	3.27	4.50	20.00	2.31	26.37	2.75	4.50	1.63	0.44	0.25	1.00	27.19	3.62	0.44	.38 (2)	0.75	1.00
814	4.25	6.00	9.00	3.13	16.56	3.50	4.25	1.75	0.44	0.25	1.50	17.87	4.44	0.69	.38 (3)	0.75	1.25
824	4.25	6.00	19.00	3.13	26.56	3.50	4.25	1.75	0.44	0.25	1.50	27.87	4.44	0.69	.38 (3)	0.75	1.25
836	4.25	6.00	31.00	3.13	38.56	3.50	4.25	1.75	0.44	0.25	1.50	39.87	4.44	0.69	.38 (3)	0.75	1.25
1014	5.24	6.75	9.00	3.43	17.35	4.00	5.25	2.00	.50 x .75	0.25	1.50	18.83	4.83	0.69	.38 (3)	1.00	1.69
1024	5.24	6.75	19.00	3.43	27.35	4.00	5.25	2.00	.50 x .75	0.25	1.50	28.83	4.83	0.69	.38 (3)	1.00	1.69
1036	5.24	6.75	31.00	3.43	39.35	4.00	5.25	2.00	.50 x .75	0.25	1.50	40.83	4.83	0.69	.38 (3)	1.00	1.69
1224	6.26	7.75	18.25	4.06	27.07	4.50	6.25	2.50	.50 x .75	0.38	2.00	28.94	5.25	0.87	.38 (3)	1.50	2.00
1236	6.26	7.75	30.25	4.06	39.07	4.50	6.25	2.50	.50 x .75	0.38	2.00	40.94	5.25	0.87	.38 (3)	1.50	2.00
1248	6.26	7.75	42.25	4.06	51.07	4.50	6.25	2.50	.50 x .75	0.38	2.00	52.94	5.25	0.87	.38 (3)	1.50	2.00
1260	6.26	7.75	55.25	4.06	64.07	4.50	6.25	2.50	.50 x .75	0.38	2.00	65.94	5.25	0.87	.38 (3)	1.50	2.00
1724	8.62	10.50	17.00	5.43	27.31	5.75	7.25	3.50	.63 x .88	0.38	3.00	30.70	7.20	2.08	.38 (3)	2.00	2.50
1736	8.62	10.50	29.00	5.43	39.31	5.75	7.25	3.50	.63 x .88	0.38	3.00	42.70	7.20	2.08	.38 (3)	2.00	2.50
1748	8.62	10.50	41.00	5.43	51.31	5.75	7.25	3.50	.63 x .88	0.38	3.00	54.70	7.20	2.08	.38 (3)	2.00	2.50
1760	8.62	10.50	53.00	5.43	63.31	5.75	7.25	3.50	.63 x .88	0.38	3.00	66.70	7.20	2.08	.38 (3)	2.00	2.50
1772	8.62	10.50	65.00	5.43	75.31	5.75	7.25	3.50	.63 x .88	0.38	3.00	78.70	7.20	2.08	.38 (3)	2.00	2.50