

# Temperature Sensors

## Normally Open (Closed on temperature rise)

### Contact Rating

6 AMPS AT 120 VAC  
4 AMPS AT 240 VAC

### Voltage

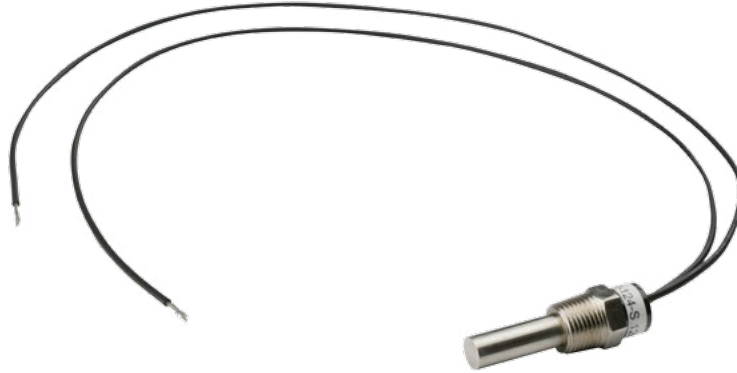
0.1 to 240 volts AC or 12 VDC  
8 AMPS, 24 VDC 4 AMPS

### Pressure

1,000 PSI operating

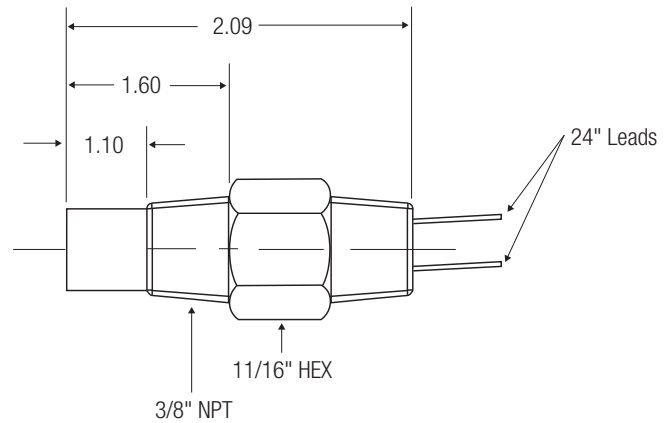
### Material

303 Stainless Steel Housing



Part Number	Set Temperature (°F)
65769	140
65769	120

\*Switching temperature ranges from one (1) to six (6) °F.  
Other temperature settings are available. Consult factory for options.  
For DC applications, do NOT wire directly to motor. (Relay needed.)



## How to Order Consult factory for pricing and lead time

<input type="text"/>	<input type="text"/>	<input type="text"/>	<input type="text"/>	<input type="text"/>	-	<input type="text"/>	<input type="text"/>	<input type="text"/>	-	Temperature Sensor
<b>Part Number</b>						<b>Set Temperature</b>				
						140				
						120				

All shipments FOB Racine, WI USA